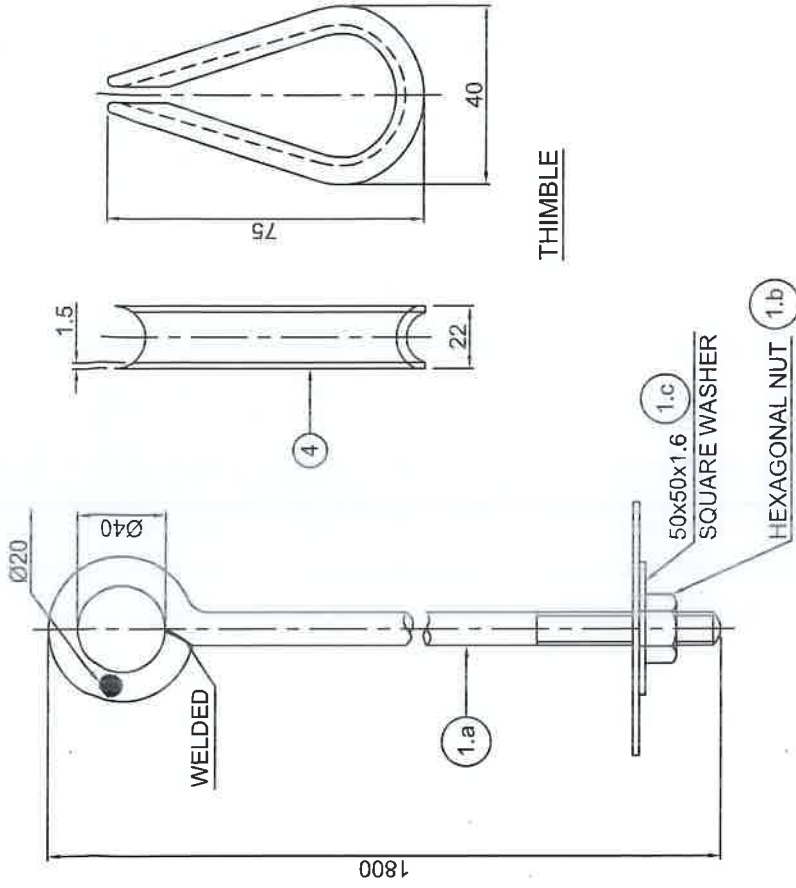


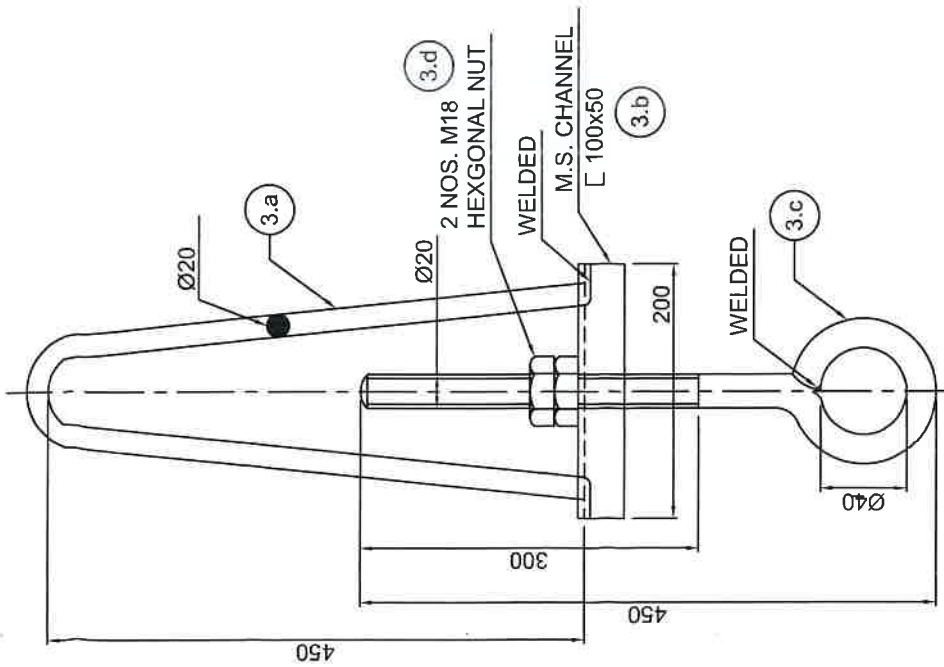
BILL OF MATERIAL

| ITEM NO. | ITEM | MATERIAL | QTY. |
|----------|----------------------------------|------------|------|
| 1.a | ANCHOR ROD (Ø20 x 1800) | M.S.H.D.G. | 1 |
| 1.b | M20 NUT | M.S.H.D.G. | 1 |
| 1.c | 50 x 50 x 1.6 mm. Sq. WASHER | M.S.H.D.G. | 1 |
| 2 | ANCHOR PLATE (300 x 300 x 8) | M.S.H.D.G. | 1 |
| 3.a | TURN BUCKLE BOW TYPE, Ø20 mm. | M.S.H.D.G. | 1 |
| 3.b | Channel BOW (100 x 50 x 200) | M.S.H.D.G. | 1 |
| 3.c | M20 EYE BOLT | M.S.H.D.G. | 1 |
| 3.d | M20 HEX. NUT | M.S.H.D.G. | 2 |
| 4 | THIMBLE | M.S.H.D.G. | 2 |

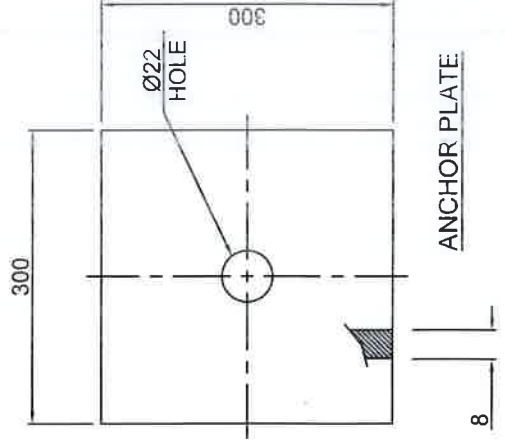
Document Name - Drawing of HT STAY SET
Document Number - ENG-DRG-GEN-010



ANCHOR ROD



TURN BUCKLE



ANCHOR PLATE

Udit Sankar Das
19-02-2022
Udit Sankar Das
Lead Engineer-Plant Engineering
Emp. Code:-520993, TPNODL

Note

- All Dimensions are in mm
- All Ferrous Part HDG Except Washer & Spring Washer